



Fitting Guide

Prevent, Warn, Detect

Supplied by Innovative Safety Systems Ltd
www.iss-international.co.uk
Tel: 02476 442699



Introduction

Cyclear® enhances the safety and wellbeing of vulnerable road users, drivers and vehicle operators by preventing accidents and fatalities. The system has been designed, manufactured and tested in the UK.

Cyclear® is a 3 stage system comprising:

- 1) Stage One - Prevention - an internationally recognised bicycle 'strike through' sign is automatically illuminated when the vehicle is turning left to stop cyclists travelling down the side of the vehicle;
- 2) Stage Two - Warning - an audible speaker announces the vehicle's intended manoeuvre giving a second warning to cyclists;
- 3) Stage Three - Detection - a sensor located on the side of the vehicle detects when cyclist or road user is travelling from the rear to the front of the vehicle (undertaking) and alerts the driver with an audible / programmable warning.

Technical

Full Cyclear System

ISS-I-CYCFS

Containing Cyclear Sign & Audible

ISS-I-CYCPV

- 1 x Cyclear LED display (LH or RH)
- 1 x Cyclear LED display bracket
- 1 x Audible warning speaker
- 1 x 20m LED display cable
- 1 x 7m Speaker cable



Install the LED display in desired location, use the provided bracket or flush mount template. The display should be mounted in a prominent position at the rear of the vehicle, curb side. Route the 20m cable back to the vehicle cab and fix with cable ties, make sure the cable is properly secured and avoid moving parts where possible. Install the audible warning speaker in desired location curb side towards rear of vehicle. Route the 7m speaker cable back to the vehicle.

Once the LED display and speaker have been installed and both cables are secured please use the colour code below:

7 CORE	
Red	3amp fuse - 24v
Black	Ground
Yellow	Link to black wire from speaker cable
Green	Ground
White	Not used
Blue	1 amp fuse - Left indicator wire
Brown	Not used

2 CORE	
Red	Link to red from 7 core
Black	Link to yellow from 7 core

If fitting an Audible Silence Switch
Switch Input - 24v Switch Output - Red from 2 core Switch Earth - Ground

If fitting a Hazard Switch Relay
Pin 30 - 24v Pin 87A - Red from 2 core Pin 85 - Hazard switch ground Pin 86 - Hazard switch 24v
Please note hazard switch relay will not work if hazard output is pulsed

Cyclear Sensor System

- 4 x sensors and mounting bezels
- 4 x 2.5m cables
- 1 x Cyclear sensor intelligent module
- 1 x 7 core control box cable

Install the sensors in the desired location, each sensor must be exactly 425mm apart for optimum performance (see figure 1.0). The two front sensors should be aimed slightly forwards and the two rear sensors slightly backwards respectively using the 11 sensor collars (see figure 1.1). If installing a Cyclear bar system the angles are already set.

Figure 1.0

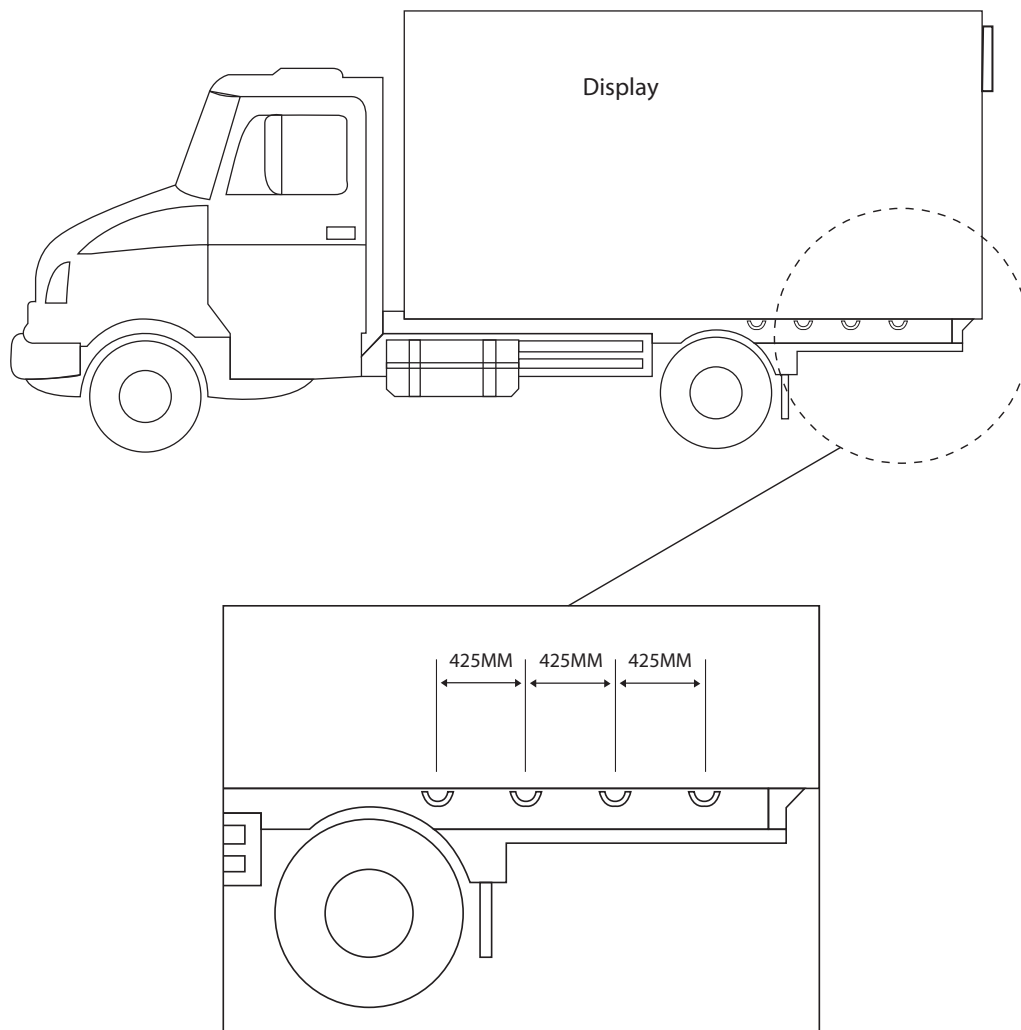
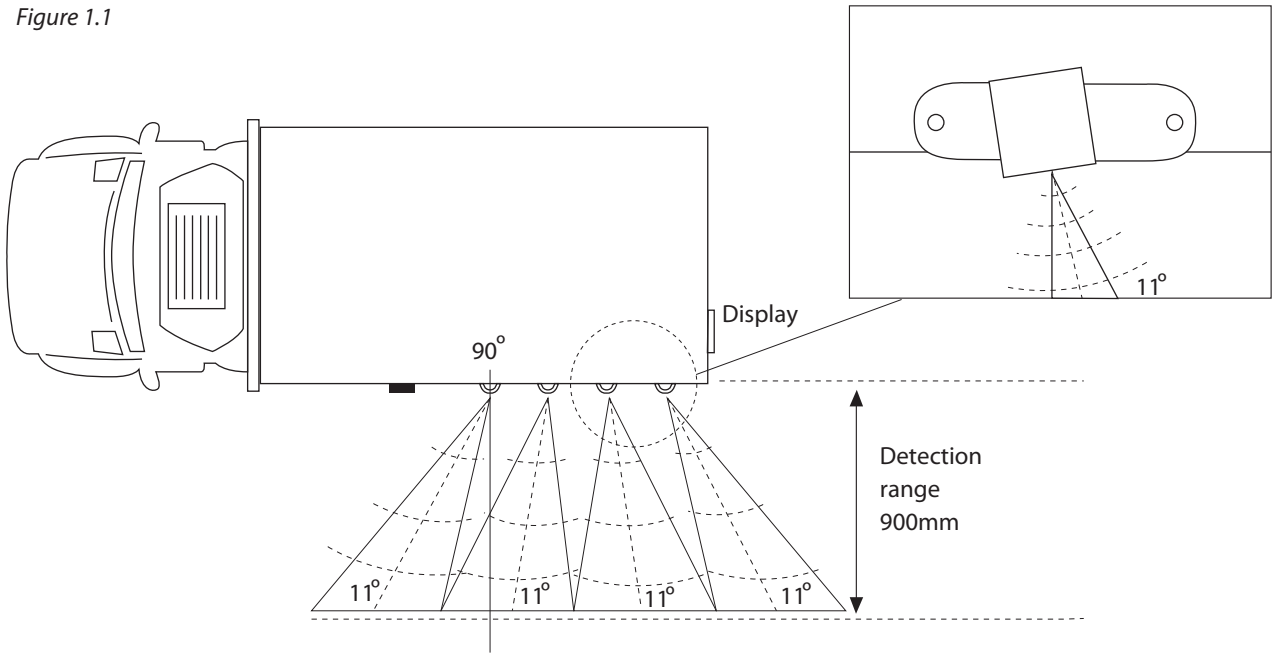
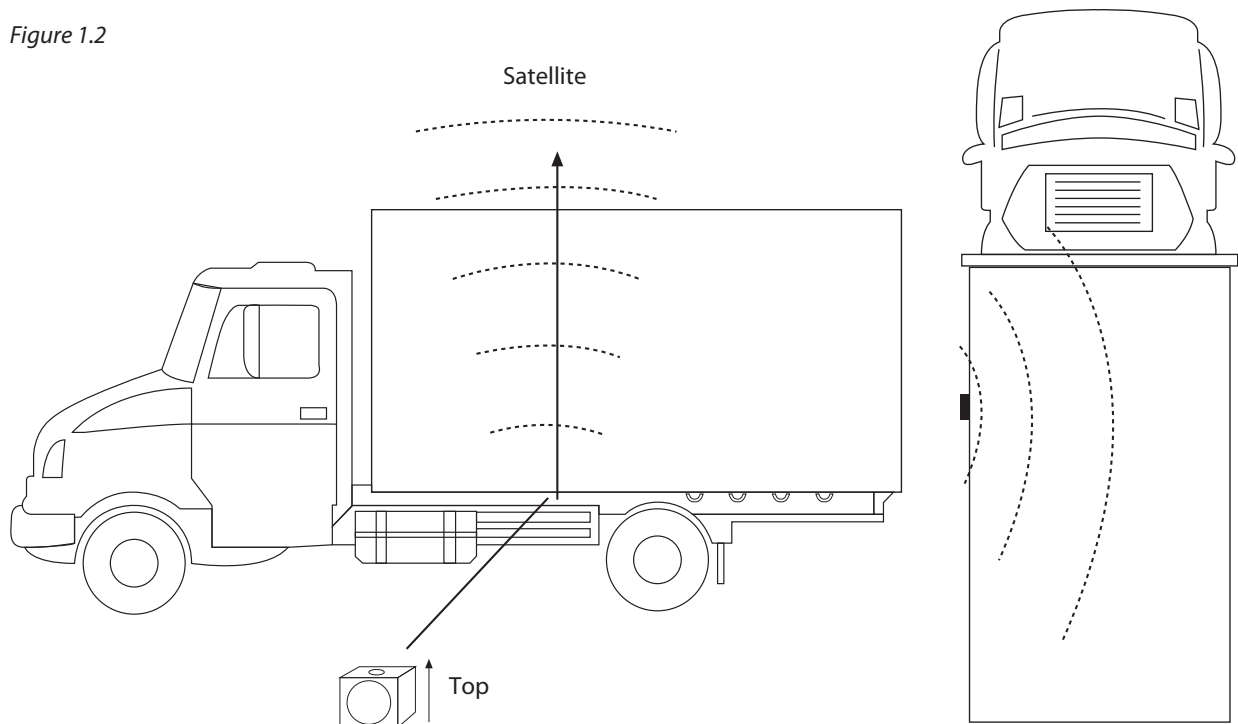


Figure 1.1



Install the intelligent module in desired location, the intelligent module must have line of sight to the horizon for the GPS cut off at 30mph to work, the box must also be fixed in the upright position (see figure 1.2).

Figure 1.2



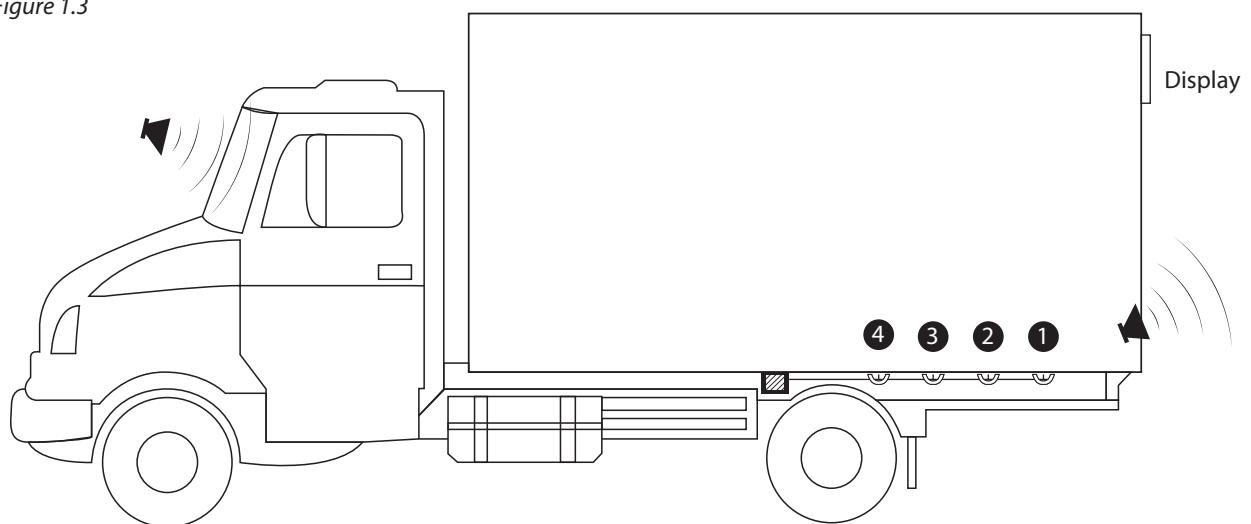
Route the sensor cables back to the intelligent module and secure them with cable ties, use protective conduit where necessary. Route the 7 core sensor intelligent module cable back to the vehicle cab.

Once the Cyclear sensors, cables and intelligent module have been installed, mount the cab beeper in desired location; we recommend installing it behind the dash. Then, please use the colour code below (Figure 1.3).

7 CORE	
Red	3amp fuse - 24v
Black	0v
Yellow	1amp fuse - reverse feed 24v
Green	Not used
White	Speaker output 3s
Blue	Speaker output 65ms (recommended)
Brown	Not used

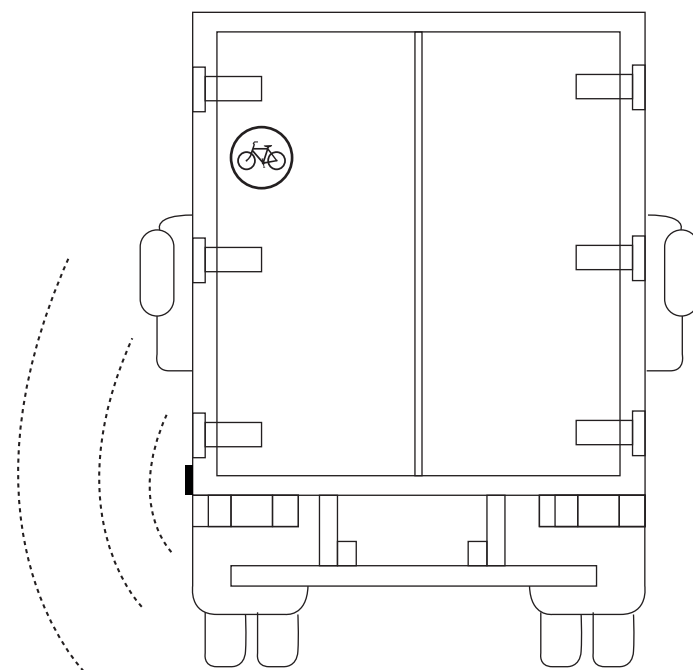
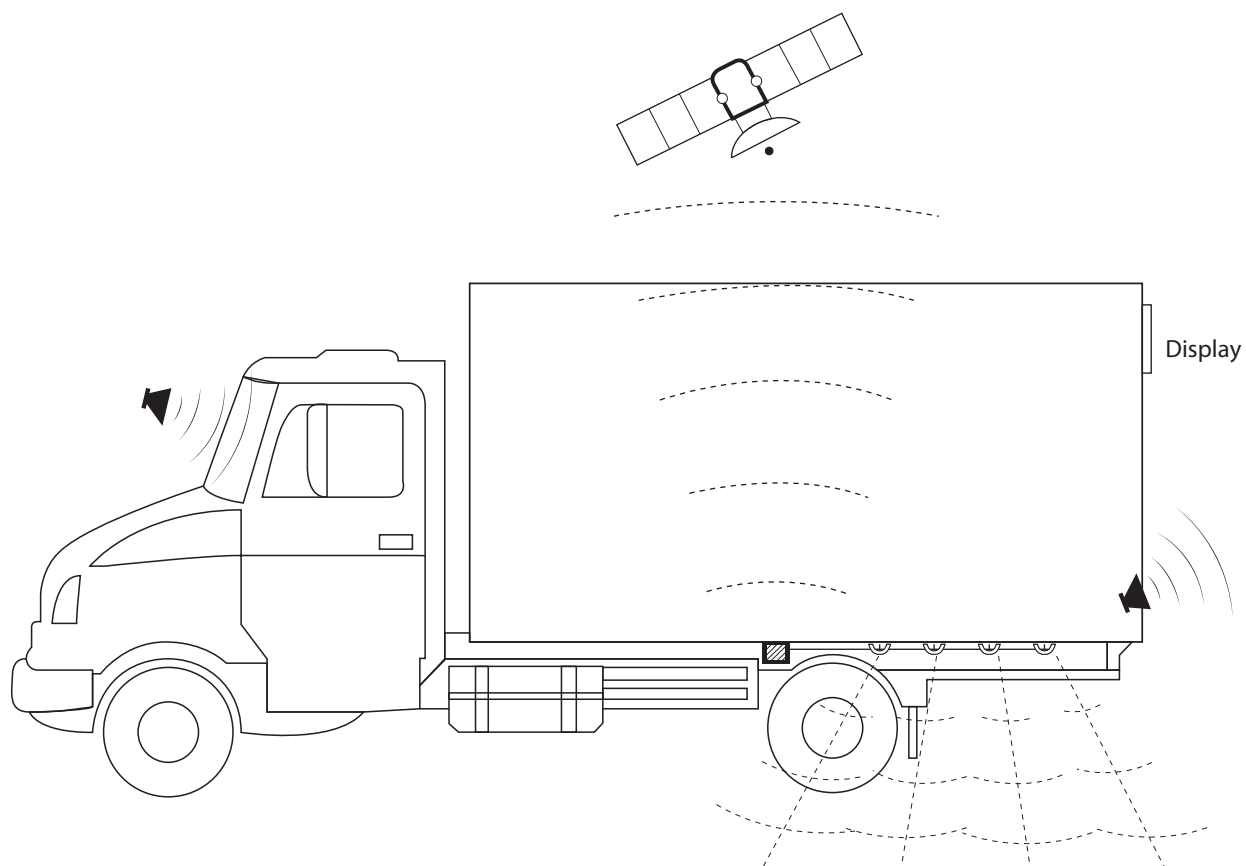
Cab Beeper
+ VE – Link to Red from 7 core
- VE – Link to desired speaker output White or Blue (blue recommended)
Use the terminals on the beeper shown in the picture

Figure 1.3



Sensors must be connected in the correct order, and must be connected to the counterpart cable on the intelligent module.

Schematic on LGV





Hotchkiss Way
Binley Industrial Estate
Coventry
CV3 2RL